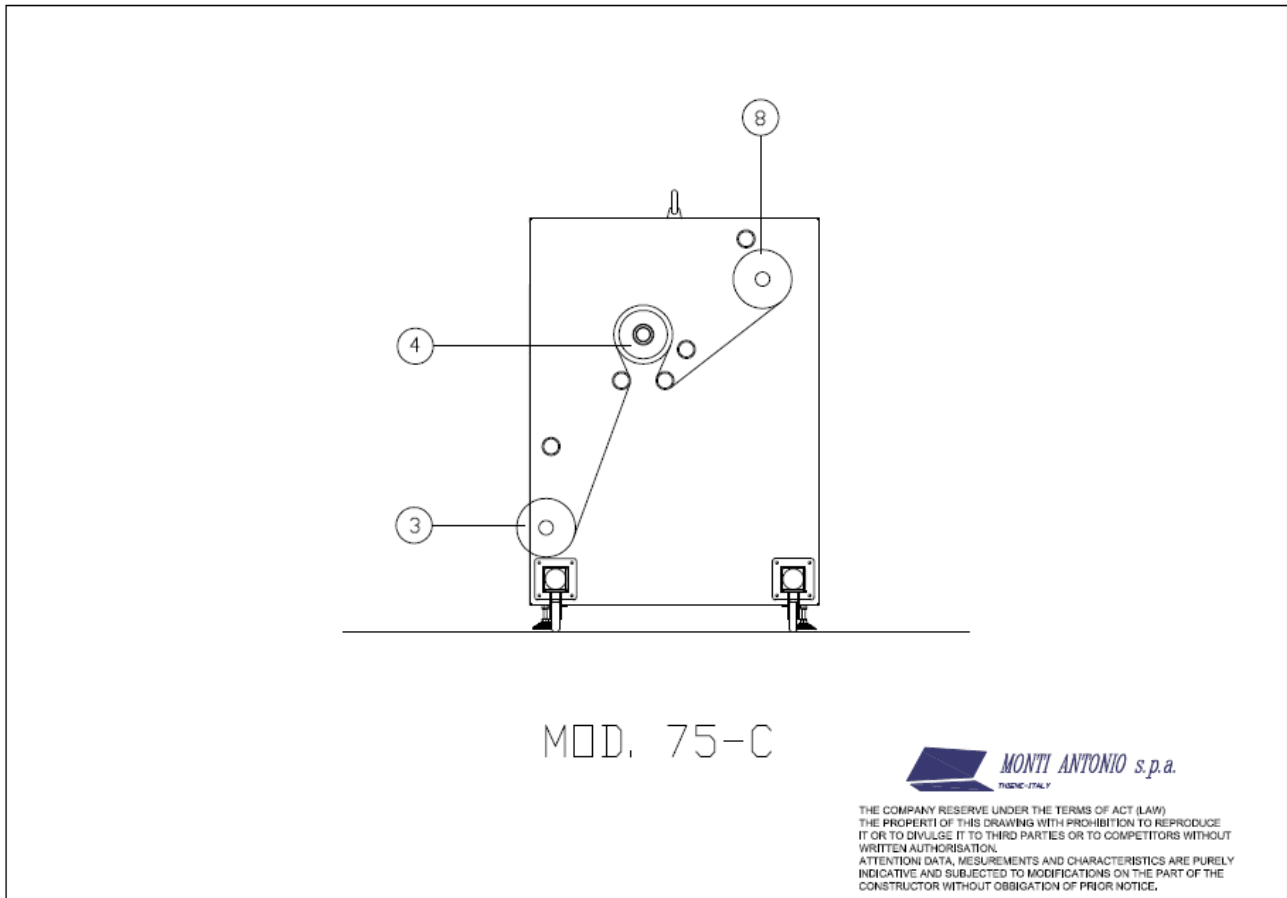


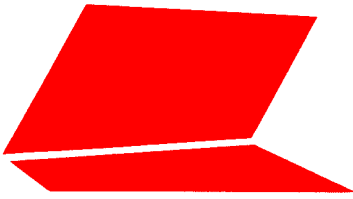


MONTI ANTONIO S.P.A.

MODEL 75C

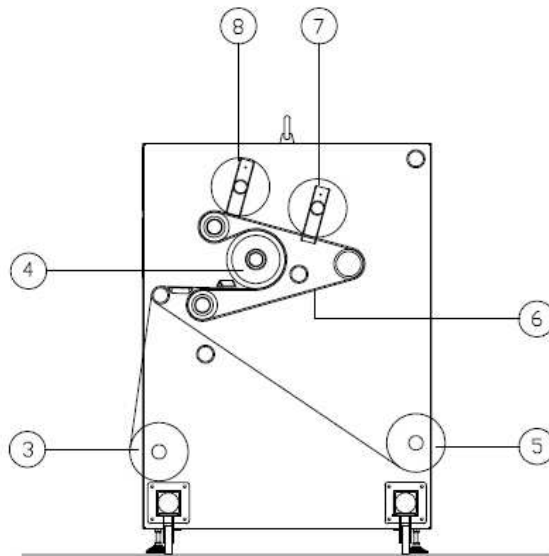


Number	Legenda
1	
2	
3	Unwinding of textile in entry
4	Heated cylinder
5	
6	
7	
8	Winding up of textile in exit



MONTI ANTONIO S.P.A.

MODEL 75CF



MOD. 75-CF

 MONTI ANTONIO s.p.a.
TRENTO - ITALY

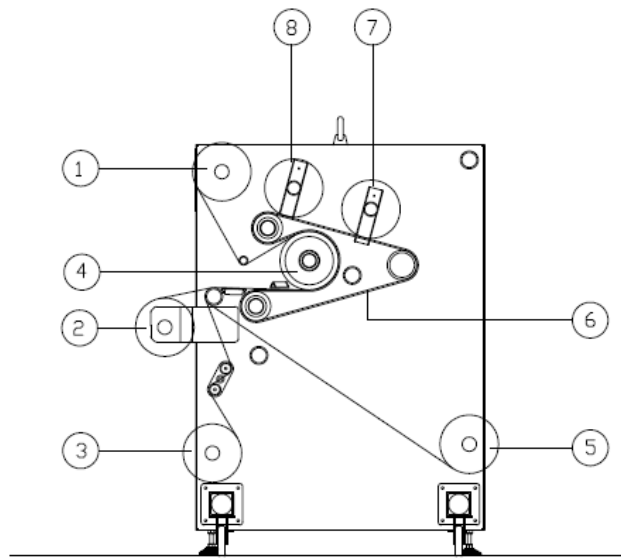
THE COMPANY RESERVE UNDER THE TERMS OF ACT (LAW)
THE PROPERTY OF THIS DRAWING WITH PROHIBITION TO REPRODUCE
IT OR TO DIVULGE IT TO THIRD PARTIES OR TO COMPETITORS WITHOUT
WRITTEN AUTHORISATION.
ATTENTION DATA, MEASUREMENTS AND CHARACTERISTICS ARE PURELY
INDICATIVE AND SUBJECTED TO MODIFICATIONS ON THE PART OF THE
CONSTRUCTOR WITHOUT OBLIGATION OF PRIOR NOTICE.

Number	Legenda
1	
2	
3	Unwinding of textile in entry
4	Heated cylinder
5	Unwinding of protection paper in entry
6	Nomex felt
7	Winding up of exhausted protection paper in exit
8	Winding up of textile in exit



MONTI ANTONIO S.P.A.

MODEL 75CFE



MOD. 75-CFE

 **MONTI ANTONIO s.p.a.**
TRADE-ITALY

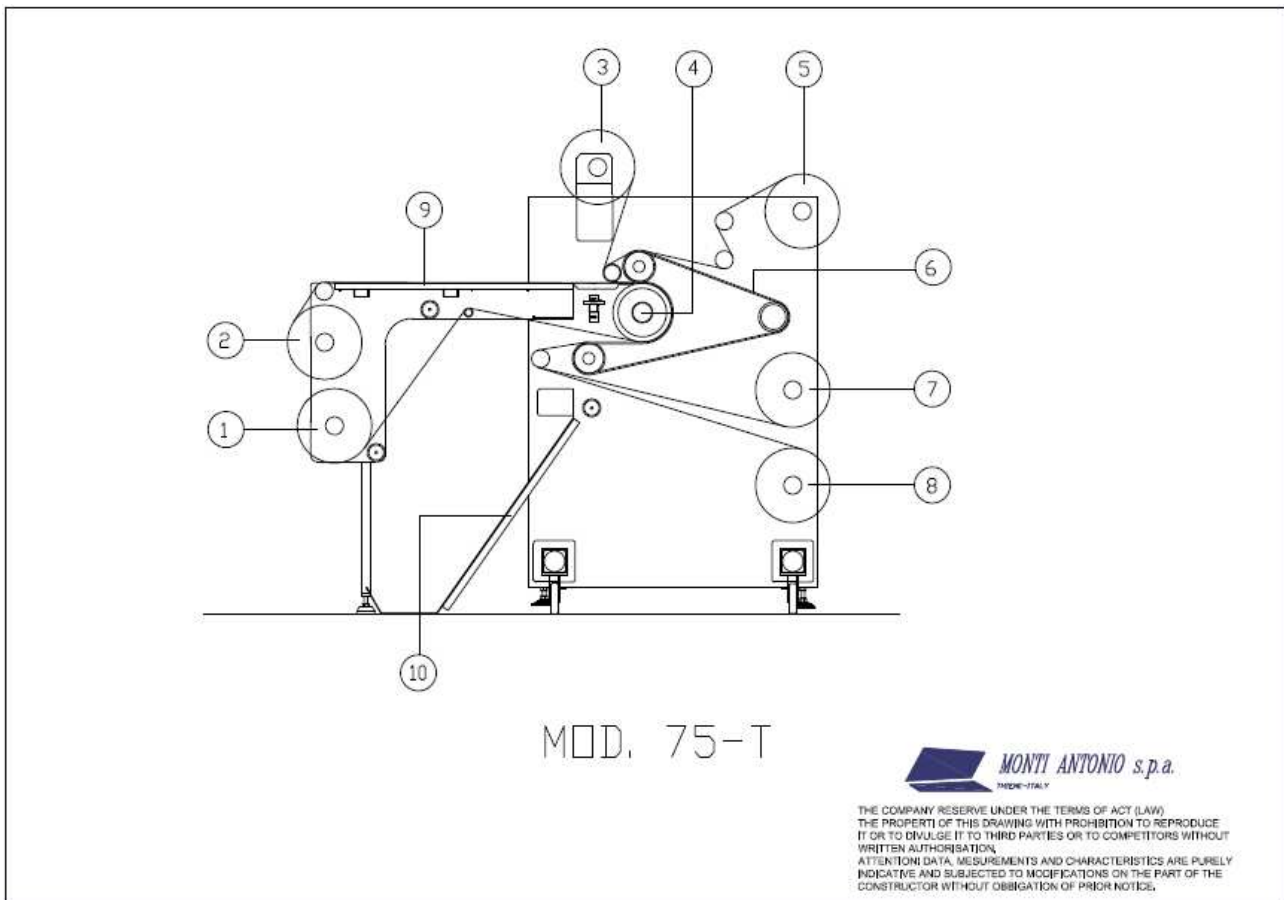
THE COMPANY RESERVE UNDER THE TERMS OF ACT (LAW)
THE PROPERTY OF THIS DRAWING WITH PROHIBITION TO REPRODUCE
IT OR TO DIVULGE IT TO THIRD PARTIES OR TO COMPETITORS WITHOUT
WRITTEN AUTHORISATION.
ATTENTION! DATA, MEASUREMENTS AND CHARACTERISTICS ARE PURELY
INDICATIVE AND SUBJECT TO MODIFICATIONS ON THE PART OF THE
CONSTRUCTOR WITHOUT OBLIGATION OF PRIOR NOTICE.

Number	Legenda
1	Winding up of exhausted printing paper in exit
2	Unwinding of printing paper in entry
3	Unwinding of textile in entry
4	Heated cylinder
5	Unwinding of protection paper in entry
6	Nomex felt
7	Winding up of exhausted protection paper in exit
8	Winding up of textile in exit



MONTI ANTONIO S.P.A.

MODEL 75T



Number	Legenda
1	Winding up of exhausted printing paper in exit
2	Unwinding of printing paper in entry
3	Unwinding of textile in entry
4	Heated cylinder
5	Unwinding of protection paper in entry
6	Nomex felt
7	Winding up of exhausted protection paper in exit
8	Winding up of textile in exit
9	Front loading table
10	Exit slide for materials in piece